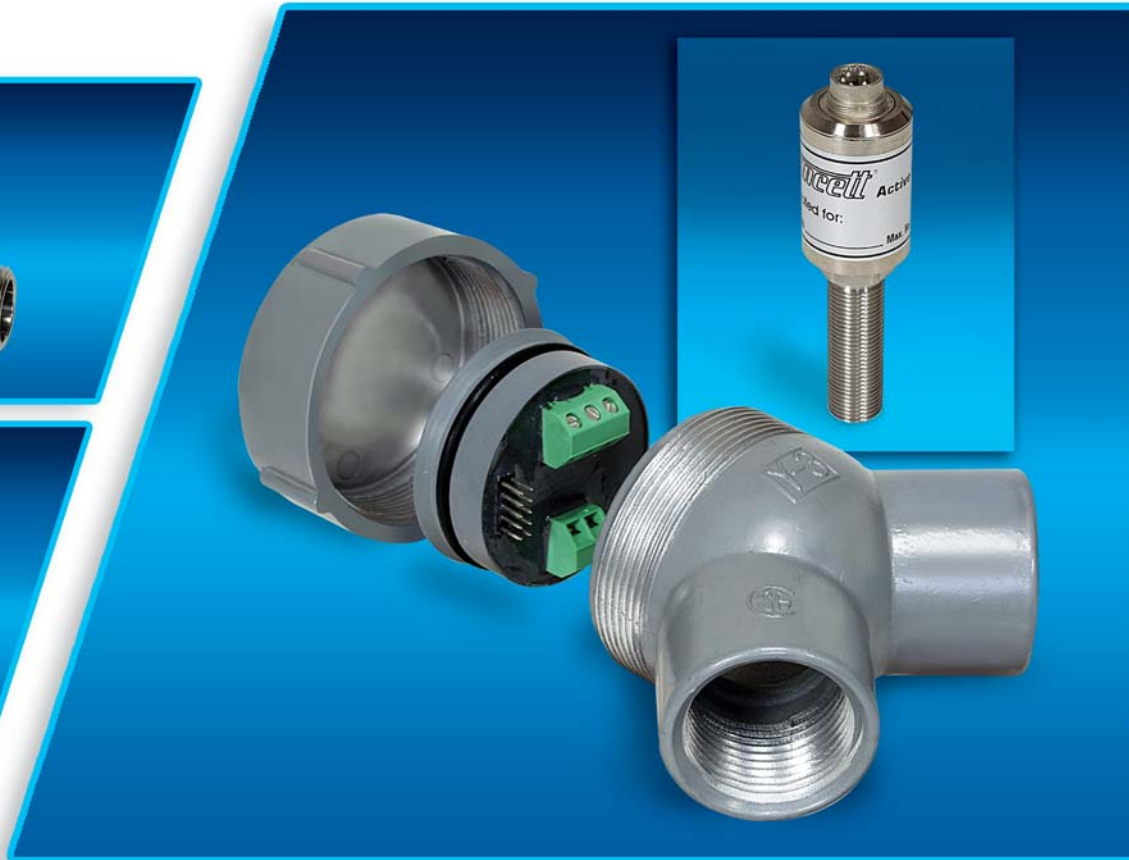


# Blancett®

## Flow Meters



**F to I / F to V**

**Intelligent Frequency Converter**

- Converts turbine pulse output into linearized analog output
- Choice of 4-20 mA or 0-5 VDC output
- Accuracy of frequency measurement is  $\pm 0.1\%$
- Enables integration with data acquisition devices
- Two mounting styles available for ease of installation



**1-800-235-1638 ■ [www.blancett.com](http://www.blancett.com)**



## Introduction

The Blancett Frequency-to-Current (F to I) and Frequency-to-Voltage (F to V) intelligent converters are state-of-the-art active sensors designed to provide enhanced features and greater flexibility for the Blancett turbine.

These microprocessor-based devices are engineered to provide an analog output directly from a Blancett turbine flow meter. The converters measure and calculate the flow rate of a turbine flow meter and produce an analog output proportional to the flow rate. The F to I and F to V converters are offered with either a 4-20 mA or a 0-5 VDC output signal, enabling easy electronic integration. Choose between the capped aluminum conduit Y-enclosure (model B220-873 or B220-874) or the canister style (model B220-950 or B220-951) converters.

When a converter is ordered with a flow meter, the two components ship from the factory calibrated as a system. If the converter is a replacement, the turbine's K-Factor has changed, or the converter is being used with a different manufacturer's flow meter, then re-programming is possible with an optional Windows®-based software utility. Please consult the factory for details.



## Specifications

	<b>F to I</b> Models B220-873 & B220-950	<b>F to V</b> Models B220-874 & B220-951
<b>Power:</b>	10 to 30 VDC supply range Loop-powered, 6V insertion loss maximum	10 to 26 VDC supply range
<b>Inputs:</b>	Magnetic Pickup	Magnetic Pickup
Frequency	0 to 3500 Hz	0 to 3500 Hz
Trigger Sensitivity	30 mV p-p	30 mV p-p
Frequency Measurement Accuracy	±0.1%	±0.1%
<b>Analog Output:</b>	4 to 20 mA current loop	0 to 5 VDC
Resolution	1 : 4000	1 : 4000
Temperature Drift	50 ppm/°C (max)	50 ppm/°C (max)
<b>Environmental:</b>		
Ambient Temperature	-22 °F to 158 °F (-30 °C to 70 °C)	-22 °F to 158 °F (-30 °C to 70 °C)
Humidity	0-90%, non-condensing	0-90%, non-condensing

## Models and Wiring Diagrams

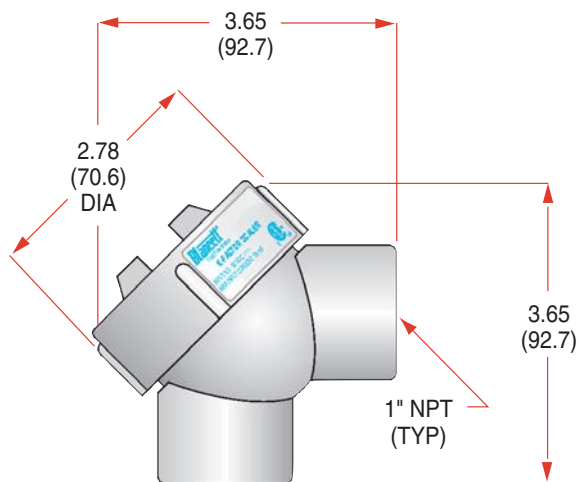
Model No.	Intelligent Converter	Output
B220-873	F to I	4-20 mA
B220-874	F to V	0 to 5 VDC

Model No.	Intelligent Converter	Output
B220-950	F to I	4-20 mA
B220-951	F to V	0 to 5 VDC

### Connecting Cables:

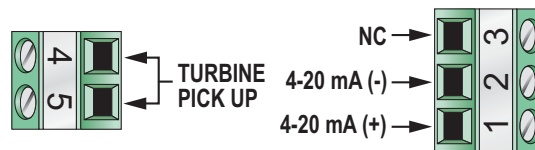
Model No.	Length	Description
B220952-6	6 feet	5-pin cable assembly
B220952-15	15 feet	5-pin cable assembly

## Dimensions - Inches (mm)

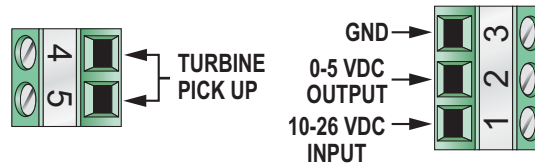


Models B220-873 & B220-874

### F to I CONVERTER

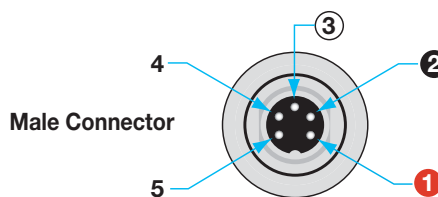


### F to V CONVERTER



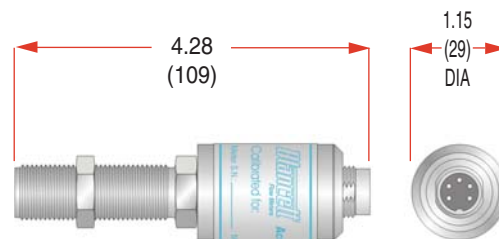
### F to I Converter

+4 -20 mA	PIN 1	RED	+4 -20 mA (SOURCE)
-4 -20 mA	PIN 2	BLACK	-4 -20 mA (SINK)
GND	PIN 3	WHITE	NO CONNECTION
RXD	PIN 5		
TXD	PIN 5		



### F to V Converter

+10 -26 VDC	PIN 1	RED	+10 -26 VDC
SIGNAL	PIN 2	BLACK	0 - 5 V OUTPUT
GND	PIN 3	WHITE	Ø V
RXD	PIN 5		
TXD	PIN 5		



Models B220-950 & B220-951

## Model 1100 In-Line Turbine Flow Meter

- Accuracy:  $\pm 1\%$  of reading
- Repeatability:  $\pm 0.1\%$
- Flow ranges from 0.6 - 3 GPM to 500 - 5,000 GPM in line sizes from 1/2" to 10"
- Rugged 316 stainless steel construction
- NIST traceable calibration certificates available



## QuikSert® In-Line Turbine Flow Meter

- Modified flow straighteners for enhanced fluid dynamics
- Body dimensions allow for installation in confined areas
- "Between the flange" design eliminates the need for mating flanges
- Flow ranges from 0.6 - 3 GPM to 500 - 5,000 GPM in line sizes from 1/2" to 10"
- NIST traceable calibration certificates available
- Optional installation kit available



## B2800 Flow Monitor

- Microprocessor-based flow monitor and totalizer
- Use with Blancett turbine flow meters as well as other flow meters with a frequency output
- Battery (1.5 VDC) and loop-powered (4-20 mA) versions
- Meter, remote, panel and swivel mounting options
- Hand-held and explosion-proof models also available



# Blancett®

Flow Meters

■ 8635 Washington Avenue, Racine, WI 53406-3738 U.S.A.

■ Toll Free: 800-235-1638 Technical Toll Free: 877-722-4631

Tel: 262-639-6770 Fax: 262-639-2267

■ E-mail: [info@blancett.com](mailto:info@blancett.com)

BLANCETT and QUIKSERT are registered trademarks of Racine Federated Inc.  
CSA is a registered trademark of Canadian Standards Association.  
WINDOWS is a registered trademark of Microsoft Corp.  
©2007 Racine Federated Inc., all rights reserved  
Printed in USA 8/09 Form No. 4200