

Blancett[®]

Flow Meters

B2800 FLOW MONITOR

- For Gas or Liquid Meters -

PROGRAMMING AND INSTALLATION MANUAL

Advanced - Version 1.05



**8635 Washington Ave.
Racine, Wisconsin 53406
Technical Toll-Free: 877.722.4631
Sales Toll-Free: 800.235.1638
Phone: 817.426.2888 Fax: 817.426.5303
www.blancett.com**

TABLE OF CONTENTS

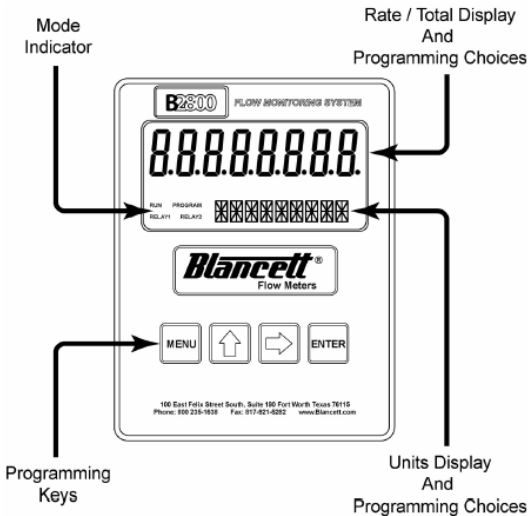
Introduction.....	3
Features.....	4
Specifications.....	5
Operating the Monitor.....	6
Advanced Programming Mode.....	6
Programming.....	6
4-20 mA Programming.....	11
Linearization.....	13
Password.....	14
Battery Replacement.....	16
Additional Input Options.....	16
Wiring Diagram.....	17
Mounting Options.....	19
Troubleshooting.....	21
General Notes on Scaling.....	22
Part Numbering Information.....	25
Installation Drawing.....	26
Statement of Warranty.....	27

Notice: *Blancett reserves the right to make any changes or improvements to the product described in this manual at any time without notice.*

INTRODUCTION

The B2800 Flow Monitor is a state-of-the-art, microprocessor based flow monitor, designed to provide the user with exceptional flexibility at a very affordable price. Though designed for use with Blancett Flow Meters, this display can be used with almost any flow meter producing a low amplitude AC output or contact closure signal(s).

This flow monitor is capable of accepting a low-level frequency input for calculating flow rate and total. These calculations can then be displayed in the desired units of measurement. All B2800 flow monitors come pre-calibrated, from the factory, if ordered with a Blancett Flow Meter. If required, however, it can easily be re-configured in the field. The monitor's large 8 digit by .75" numeric liquid crystal display makes extended range viewing practical. The second 8 digit by .38" alphanumeric display provides for selectable units viewing in run mode and prompts for variables in programming mode. Finally, the user can choose between displaying rate, total, or alternating between both rate and total.



FEATURES

- Displays Rate and/or Total
- Large 0.75 Inch, 8 Digit Display for Easy Viewing
- Simple, Front Panel Programming
- Various Mounting Styles Available
- 10 Point Linearization Capability
- Gas Measurement Software Included
- NEMA 4X Suitable for Outdoor Mounting
- Intrinsically Safe
- Microprocessor Based, Low Power Components
- 2 Power Options – 1.5V “D” Size Battery or 4-20 mA Loop
- Automatic Decimal Point Locating
- Lead Zero Blinking
- Surface Mount Technology Use Throughout

SPECIFICATIONS

Power Supply Options:

Battery Powered: 1 "D" size 1.5 Volt alkaline battery

Loop Powered: 4-20 mA loop power

Power Consumption:

Battery Powered: Less than 1 milliwatt

Loop Powered: 25 mA (Maximum)

Alphanumeric Rate and Total Display:

8 digit, .75" high numeric display

8 character, .38" high alphanumeric display

Pulsed Output Signal:

Outputs one pulse for each increment of the least significant totalizer digit

Max. Voltage: 30Vdc

Pulse Type: Opto-Isolated open collector transistor

Pulse Width ON State: 0.9V drop @ 5.0mA or 0.7V drop @ 0.1A

Magnetic Pick-up Inputs:

Frequency Range: 0 to 3500 Hz

Trigger Sensitivity: 30 mV p-p

Over Voltage Protected: ± 30 VDC

Frequency Measurement Accuracy: $\pm 0.1\%$

Temperature Drift: 50 ppm / °C (Max)

Analog Output (Loop Powered Version):

4-20 mA Current Loop

Resolution: 1:4000

Transient Overvoltages: Category 3, accordance with IEC664

Pollution Degree: 2, in accordance with IEC664

Mounting Classification:

Meter Mount: NEMA 4X Enclosure

Remote Mount: NEMA 4X Enclosure

Swivel Mount: NEMA 4X Enclosure

Environmental:

Operating Temperature: -22 °F to 158 °F (-30 °C to 70 °C)

Humidity: 0-90% Non-condensing

Certifications:

CSA: Class I, Div 1 Groups C, D; Class II, Div 1 Groups E, F, G

UL: Class I, II, III Div 1 Groups C, D

CE: IEC 61326-1

Units of Measure:

Gallons, Oil Barrels, Liters, Cubic Meters, MGal, Cubic FT, MCF,

MMCF Megltrs, Acre FT, Liq. Barrels, LBS, KGS

Time Intervals: Day, Hour, Minute, Second

OPERATING THE MONITOR

The monitor has two modes of operation referred to as the **RUN** mode and the **PROGRAM** mode. Both the run mode and the program mode display screen enunciators confirming the state of the monitor. A quick glance at the lower left hand corner of the LCD screen will confirm operating status. Normal operation will be in the run mode. To access the programming mode, press the **MENU** button until the first programming screen is displayed. After programming the display with the necessary information, a lock out feature can be turned on to prevent unauthorized access or changing the meter's setup parameters.

ADVANCED PROGRAMMING MODE

Keys:

MENU – Switch between RUN & PROGRAMMING modes

UP Arrow – Scrolls through programming sub-menus in forward direction and increments numeric variables

RIGHT Arrow – Scrolls through programming sub-menus in reverse direction and moves the active digit to the right

ENTER – Used to enter sub-menus, save programming information and in the reset process

If your monitor was ordered with a Blancett flow meter, the two components ship from the factory, calibrated as a set. If the monitor is a replacement, the turbine's K-factor has changed, or the monitor is being used with some other pulse generating device, programming will be necessary.

Programming Using Pulse Output Turbine Flow Meters

Each turbine flow meter is shipped with either a K-factor value or frequency data. If frequency data is provided, the data must be converted to a K-factor before programming; otherwise, 10 Point Linearization must be used to program the monitor. (See "General Notes on Scaling" at the end of this manual). K-factor informa-

tion, when supplied, can usually be found on the neck of the flow meter or stamped on the body. The K-factor represents the number of pulses per unit of volume. The K-factor will be needed to program the monitor readout.

ENTER PROGRAMMING MODE – Change to programming mode by pressing the MENU button once. The mode indicator will change from RUN to PROGRAM.

***Note:** If any input value exceeds the meters capabilities for that particular parameter, the LIMIT indicator will begin to flash indicating an invalid entry. Press ENTER once to return to the parameter's entry screen to reenter the value.*

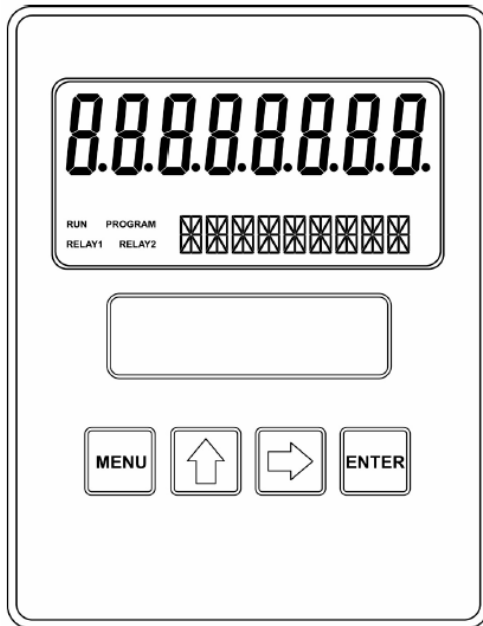


FIGURE 1 - FRONT PANEL

SELECT THE METER SIZE – At the METER prompt, press the ENTER button once. The current meter size number will begin to flash. Using the arrow keys, scroll through the size choices until you find the bore size of your meter. Press ENTER once to save the meter size choice.

***Note:** The meter connection size and the bore size are different. For example, many of the 1" NPT turbines have bore sizes that range from 3/8" up to 1". Be sure to use the correct bore size or the meter could report incorrect flows and totals.*

SELECT THE DISPLAY FUNCTION – The monitor can display RATE or TOTAL or alternate between BOTH rate and total. At the DISPLAY prompt, press the ENTER key once. The monitor now shows the display mode currently in effect. If the current selection is correct, press the ENTER key to advance to the next parameter. To change to an alternate display mode, use the arrow keys to scroll to the desired display mode and press ENTER to save the choice.

SELECT THE RATE UNITS OF MEASURE – The monitor allows the choice of many common rate units. (See the specifications for a complete listing of the unit choices.) At the RATE UNT prompt, press the ENTER key once. The monitor now shows the rate units of measure the display is currently set for. If the current selection is correct, press the ENTER key to advance to the next parameter. To change to an alternate unit, use the arrow keys to scroll to the desired rate unit and press ENTER to save the choice.

SELECT THE RATE [TIME] INTERVAL – The term Rate implies that something is occurring over a period of time. Most people are familiar with the rate of speed of a car reported in miles per hour (MPH). The same concept holds true for a flow meter. The time choices are SEC (seconds), MIN (minutes), HOUR (hours), and DAY (days). At the RATE INT prompt, press the ENTER key once. The monitor now shows the time interval the display is currently set for. If

the current selection is correct, press the ENTER key to advance to the next parameter. To change to an alternate time interval, use the arrow keys to scroll to the desired time interval and press ENTER to save the choice.

Note: *If flow rate is the only measurement of interest, skip to KFAC UNT to complete the programming process.*

SELECT THE TOTAL UNITS OF MEASURE – If a flow amount is desirable, the units for the total must first be chosen. The monitor allows the choice of many common totalization units. (See the specifications for a complete listing.) At the TOTL UNT prompt, press the ENTER key once. The monitor now shows the total units of measure the display is currently set for. If the current selection is correct, press the ENTER key to advance to the next parameter. To change to an alternate unit, use the arrow keys to scroll to the desired totalization unit and press ENTER to save the choice.

Note: *This unit of measure does not have to reflect the rate unit you have previously chosen. (Example: Rate Units = Gallons, Total Units = Barrels).*

SELECT THE TOTAL'S DISPLAY MULTIPLIER – The monitor has a very versatile display that has the ability to accumulate the flow total in multiples of ten. For example, if the most desirable totalization unit is 1,000 gallons, the monitor can easily be set up for this requirement. Once the unit is back in RUN mode, every time the total display is incremented by one digit the actual total would be an additional 1,000 gallons. At 1,000 gallons the total display would read 1, at 3,000 gallons the total display would read 3, etc. This feature eliminates having to look at a total, counting the digits and mentally inserting commas for each 1000 multiple.

At the TOTL MUL [Multiple] prompt, press the ENTER key once. The monitor now shows the multiplier the total display

is currently set for. If the current selection is correct, press the ENTER key to advance to the next parameter. To change to an alternate multiplier, use the arrow keys to scroll to the desired multiplier unit and press ENTER to save the choice.

Multiplier Choices – 0.01, 0.1, 1, 10, 100, 1000, 10000, 100000, and 1000000 Units

ENTER THE METER'S K-FACTOR UNIT – At the KFAC UNT prompt, press the ENTER key once. The display now shows the current K-factor unit. If the current selection is correct, press the ENTER key to advance to the next parameter. For meters calibrated in gallons use PUL/GAL. For meters calibrated in cubic meters use PUL/M3 (pulses per cubic meter), etc. To change to an alternate K-factor unit, use the arrow keys to scroll to the desired K-factor unit and press the ENTER key to save your choice.

***Note:** Unless otherwise specified, turbine flow meters are supplied with K-factors measured in pulses per gallon (PUL/GAL).*

ENTER THE METER'S K-FACTOR – (**Note: The K-factor supplied with your meter or calculated from calibration data will be needed to complete this step.**)

At the K FACTOR prompt, press the ENTER key once. The most significant digit in the K-factor will begin to flash. Using the UP arrow key, increment the display digit until it matches the meter's K-factor digit. If the current selection is correct, press the RIGHT arrow key to advance to the next digit. Repeat this process until all K-factor digits have been entered. Press ENTER once to save the K-factor.

SCALE FACTOR – At the SCALE F prompt, press the ENTER key once. The current Scale Factor will begin to flash. If the current selection is correct, press the ENTER key to ad-

vance to the next parameter. The scale factor is used to force a global change to all variables. For example, under operating conditions the display is reading a consistent 3% below the expected values at all flow rates. Rather than changing all parameters individually, the scale factor can be used to compensate for the 3% offset. The scale factor would be set to 1.03 to correct the readings. The range of scale factors is from 0.5 to 1.5. The default scale factor is 1.00.

METER TYPE – At the METERTYP prompt, press the ENTER key once. The current meter type will be displayed as “Liquid” or “GAS.” If the current selection is correct, press the ENTER key to advance to the next parameter. If “GAS” is selected you must then enter your Operating Pressure and Operating Temperature before advancing to the next parameter.

DAMPING FACTOR – At the DAMPING prompt, press the ENTER key once. The current Damping setting will begin to flash. If the current selection is correct, press the ENTER key to advance to the next parameter. The Damping Factor is increased to enhance the stability of the flow readings. Damping values are decreased to allow the flow meter to react faster to changing values of flow. This parameter can take on any value between 0 and 99 with 0 being the default.

TOTALIZER PULSE OUTPUT – The pulse output parameter can be either enabled or disabled. When enabled this output generates 20mS duration pulse for every time the least significant digit of the totalizer increments (20Hz Max). The amplitude of the pulse is dependent on the voltage level of the supply connected to the pulse output and is limited to a maximum 30 VDC.

FLOW 4MA SETTING – When the loop powered option is ordered, the flow rate that corresponds to 4mA must be set. If the current selection is correct, press the **RIGHT** arrow key once to advance to the next parameter. If adjustment is required, press the ENTER key once at the FLOW 4MA

prompt. The most significant digit will begin to flash. The **RIGHT** arrow key moves the active digit one place to the right for each press of the key. The **UP** arrow key increments the active digit one integer for each press of the key. When the correct 4mA flow rate has been entered, press ENTER once to store this value and move to the next parameter.

FLOW 20mA SETTING – Follow the same programming procedure as the FLOW 4MA except for the flow rate setting. In this case, the maximum rate of flow for the meter should be used.

4-20mA CALIBRATION – When ordered with a 4-20mA output, this menu item allows the fine adjustment of the 4-20mA output. The 4mA setting is typically between 35 and 50. To set the 4mA value, connect an ammeter in series with the loop power supply. At the 4-20CAL prompt, press ENTER once. This display will now show a steady NO indication. Press the **UP** arrow key to change to a flashing YES display. Press ENTER once to access the 4mA fine adjustment.

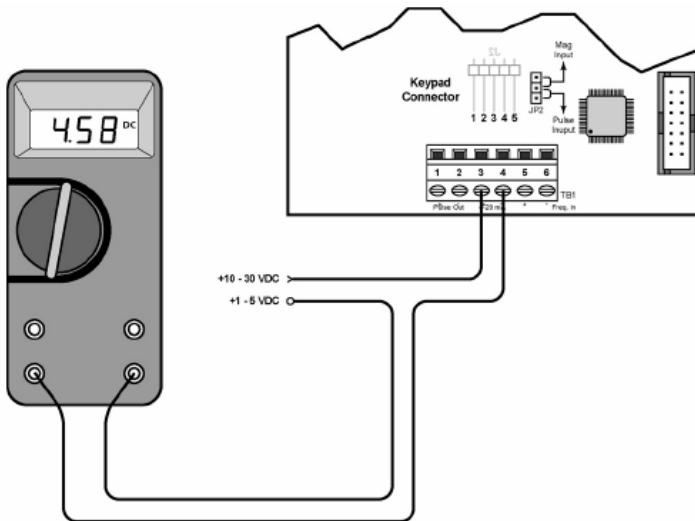


Figure 2 - Typical Ammeter Connection

4mA ADJUSTMENT – While monitoring the ammeter, adjust the 4mA value to obtain a 4mA reading. The **UP** arrow key increments the value and the **RIGHT** arrow key decrements the value. When a steady 4mA reading is obtained on the ammeter, press the ENTER key to lock in this value and move to the 20mA adjustment.

20mA ADJUSTMENT – The 20mA adjustment is performed using the same procedure as the 4mA adjustment.

While monitoring the ammeter, adjust the 20mA value to obtain a 20mA reading. The **UP** arrow key increments the value and the **RIGHT** arrow key decrements the value. When a steady 20mA reading is obtained on the ammeter, press the ENTER key to lock in this value and move to the next parameter.

4-20mA TEST – The monitor contains a diagnostic routine that allows the simulation of mA values between 4 and 20 to check output tracking. At the 4-20TEST prompt the arrow keys change the simulated mA output increments of 1mA. The ammeter should track the simulated mA output. If a 4-20mA test is not necessary, press ENTER once to move to the next parameter.

LINEARIZATION – Enhanced accuracy can be obtained by linearization of the display. The linearization routine will accept a maximum of ten points. Linearization requires additional calibration data from the meter to be used with the monitor. Typically, calibration information can be obtained in three, five, and ten points from the flow meter's manufacturer. If linearization is not needed, pressing the **RIGHT** arrow key will take you to the next parameter. (See "General Notes on Scaling" for more information).

Number of Points – At the LINEAR prompt, press ENTER once. The NUM PTS number will be displayed. Press ENTER to set the number of points you wish to use. Again, the **UP** arrow key increments the value and the

RIGHT arrow moves the cursor between digits. When the number of points has been input, press the ENTER key once to move to the first linear segment.

Press the ENTER key once and the first linear point's frequency input will begin to flash (FREQ 1). Enter the frequency for the first linear point using the arrow keys. When the frequency value input is completed, press ENTER once again to change to the coefficient value for the first linear point.

The coefficient is the value applied to the nominal K-factor to correct it to the exact K-factor for that point. The coefficient is calculated by dividing the actual K-factor for that point by the average K-factor for the flow meter.

$$\text{Coefficient} = \text{Actual K-factor} \div \text{Average K-factor}$$

At the COEFF prompt, enter the coefficient that corresponds to the frequency value previously entered. Press ENTER once to move to the next scaling point.

Continue entering pairs of frequency and coefficient points until all data has been entered. Press the MENU key twice at the NUM PTS prompts to exit to the LINEAR prompt. Press the **RIGHT** arrow key to move to the next parameter.

PASSWORD – Password protection prevents unauthorized users from changing programming information. Initially, the password is set to all zeros. To change the password, press ENTER once at the password prompt. The first digit of the password value will begin to flash. Using the arrow keys as previously described, enter the password value. Pressing ENTER once will store the password and take you back to the RST PSWD screen.

Note: This password will allow users to reset totals.

RST PSWD – Reset Password protection prevents unauthorized users from manually resetting the flow monitor’s accumulated totals. Initially, the password is set to all zeros. To change the password, press ENTER once at the password prompt. The first digit of the password value will begin to flash. Using the arrow keys as previously described, enter the password value. Pressing ENTER once will store the password and take you back to the METER size screen, pressing MENU exits the programming mode. The B2800 Flow Monitor is now ready for use with its companion meter. Note: entering a password in the Password screen and leaving the password blank in the RST PSWD screen would allow for total resets (not requiring password) and restrict programming modification.

RESET TOTAL – To reset the monitor total display, in run mode press the MENU and ENTER simultaneously until TOTAL RST starts to flash. The TOTAL RST will stop flashing and the display will return to the run mode at the conclusion of the procedure.

STORE TOTAL – The current total can be manually stored in the monitor’s flash memory. This procedure may be desirable prior to changing the settings or replacing the battery. Press and hold the ENTER key for 2 seconds. The display will respond with a flashing TOTALSVD and then return to the run mode.

AUTOMATIC STORE TOTAL – The monitor is equipped with a store total feature that works automatically, saving the current total to flash memory. The frequency of saves depends on the power supply option chosen

Battery Powered: Once per hour and just before a low battery condition turns the unit off.

Loop Powered: Once every ten minutes.

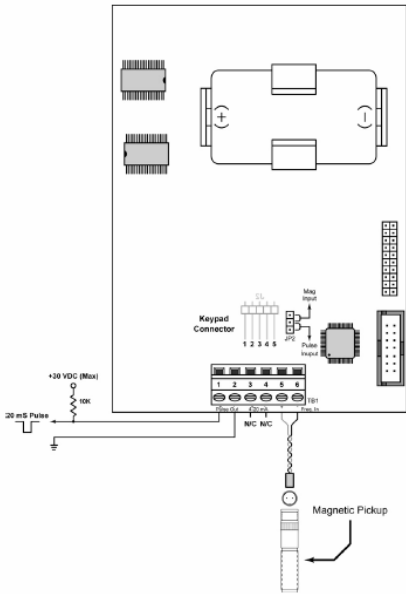
Battery Replacement – Battery powered monitors use a single 1.5V, “D” size, alkaline battery. When replacement is necessary, use a clean fresh battery to insure continued trouble free operation. It is recommended that the total be saved to memory before the battery is removed. (See “Store Total” in the programming section of this manual.)

Unscrew the two captive screws on the front panel to gain access to the battery. Replace the battery being sure to observe the proper polarity, and then re-fasten the front panel.

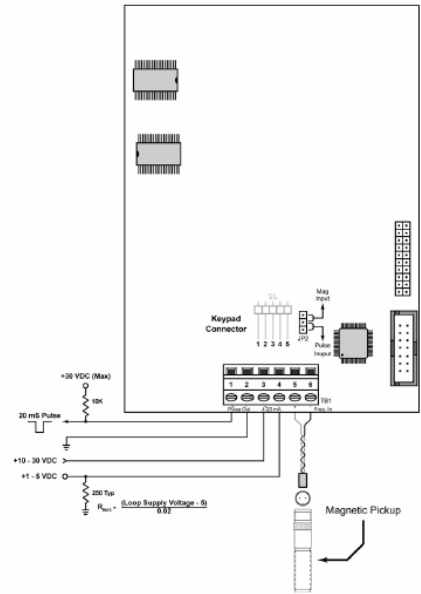
ADDITIONAL INPUT OPTIONS

The B2800 Flow Monitor is capable of receiving Magnetic Pick-up Input or a Contact Closure Input. Since most Blancett Flow Meters utilize a magnetic pick-up, the monitor is shipped configured for magnetic pick-up input. To change to a contact closure input, remove JP2 from the **Top** two pins and jumper them to the **Bottom** two pins.

See Figure 3

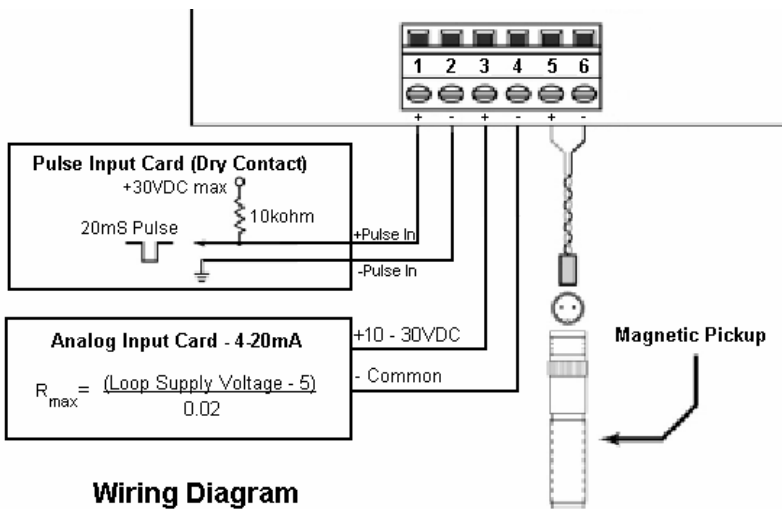


BATTERY POWERED



LOOP POWERED

FIGURE 3 - CIRCUIT BOARD LAYOUT



Wiring Diagram

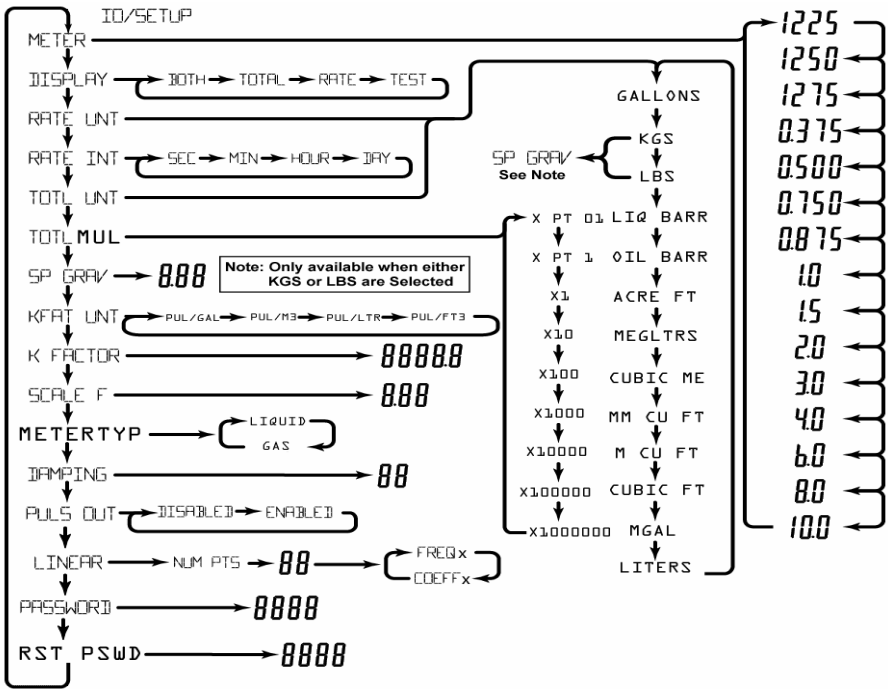


FIGURE 4 - PROGRAMMING MENU

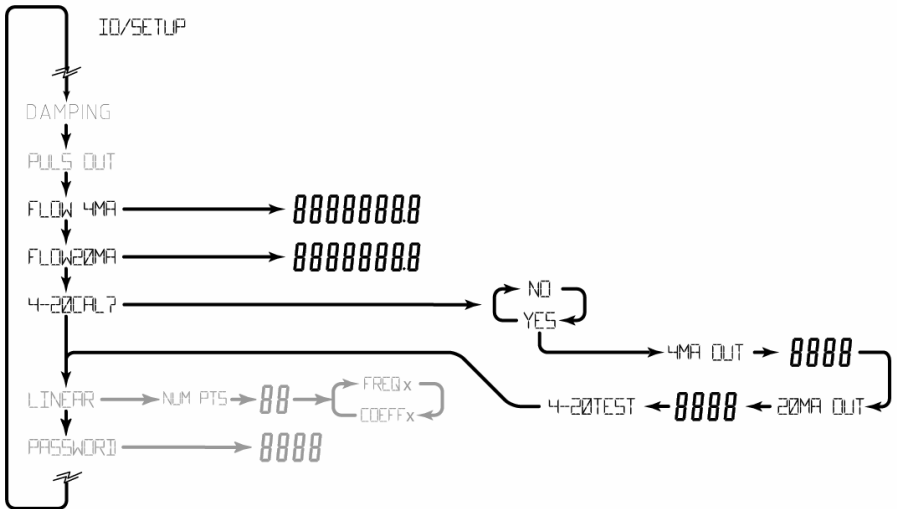
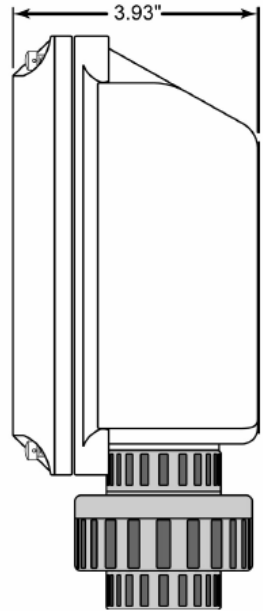
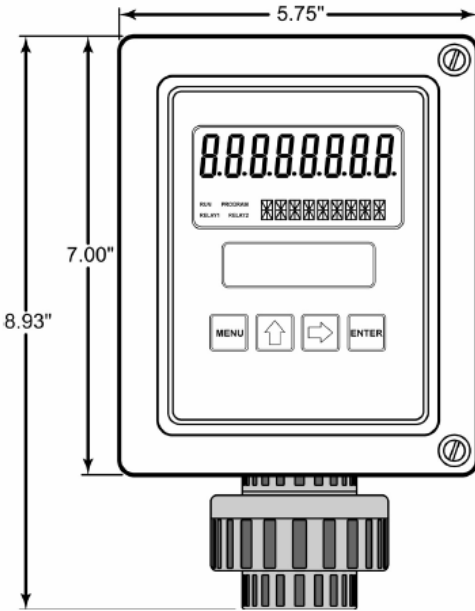
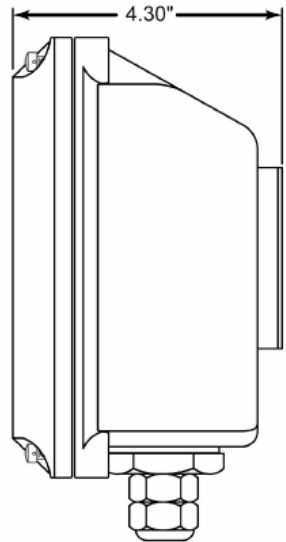
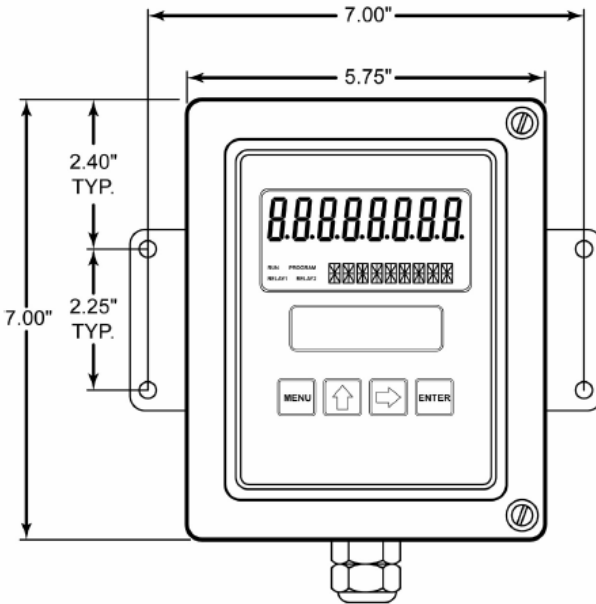


FIGURE 5 - 4-20mA PROGRAMMING

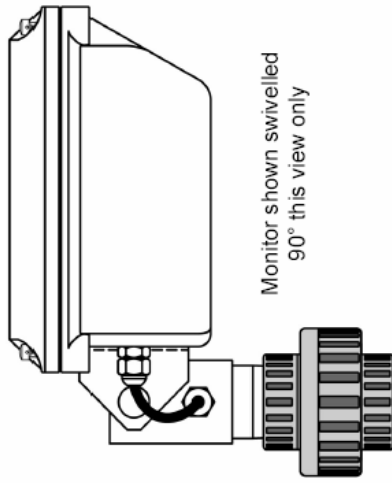
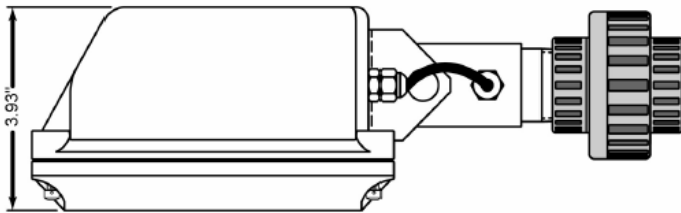
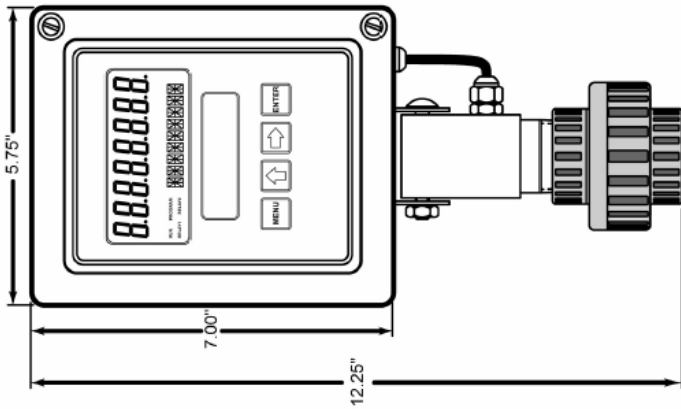
MOUNTING OPTIONS



METER MOUNT



WALL MOUNT



SWIVEL MOUNT

TROUBLE SHOOTING GUIDE

Trouble	Remedy
No LCD Display	<ul style="list-style-type: none"> ● <u>Battery Powered Version</u>: Check battery voltage. Should be 1.5 VDC. Replace if low or bad. ● <u>Loop Powered Version</u>: Check for current flow in the loop. Check polarity of the current loop connections for proper orientation.
No Rate or Total Displayed	<ul style="list-style-type: none"> ● Check connection from meter pick-up to display input terminals. ● Check turbine meter rotor for debris. Rotor should spin freely. ● Check programming of Flow Monitor. ● Check to see that the minimum flow rate is being met for the current meter in use, otherwise, the flow meter will not accurately send pulses to the flow monitor.
Flow Rate Display Interprets Reading Constantly	<ul style="list-style-type: none"> ● This is usually an indication of external noise. Keep all AC wires separate from DC wires. ● Check for large motors close to the meter pick-up. ● Check for radio antenna in close proximity. ● Try disconnecting the pick-up from the monitor pig tail. This should stop the noise. If not, then try re-orientating the meter to a new location.
Flow Rate Indicator Bounces	<ul style="list-style-type: none"> ● This usually indicates a weak signal. Replace pick-up and/or check all connections. ● Examine K-factor.

Default K-Factor Values			
Meter Size	Default K-Factor	Lower Limit	Upper Limit
0.375	20,000	16,000	24,000
0.500	13,000	10,400	15,600
0.750	2,750	2,200	3,300
0.875	2,686	2,148	3,223
1.000	870.0	696.0	1,044
1.500	330.0	264.0	396.0
2.000	52.0	41.6	62.0
3.000	57.0	45.6	68.0
4.000	29.0	23.2	35.0
6.000	7.0	5.6	8.0
8.000	3.0	2.4	4.0
10.000	1.6	1.3	2.0

GENERAL NOTES ON SCALING

This information is supplied as a general introduction to the basic concepts used to scale rate displays. The applicability of the information is dependent on the type and capabilities of the specific display/monitor used.

Flow meters producing an electronic signal are normally supplied in one of two output formats. The pulse format generates some form of alternating signal that can be “raw,” that is no amplification or wave shaping can be done prior to transmission to the readout. The output pulse rate is related proportionally to flow rate. Pulses can also be modified to produce higher output amplitudes or specific wave shapes.

The other output format is an analog signal. This is a continuous variable, voltage or current signal that is normally scaled to the dynamic range of the meter. Typical analog signals are 0-5 VDC, 0-10 VDC, and 4-20 mA. The analog signals may or may not be derived from a raw pulse signal produced by the flow meter.

Scaling for any of these input signals always requires at least two scaling points for a linear process, a zero or minimum flow point and the maximum flow point. Additionally each scaling point has two components; the actual input signal value and the desired display value at that input signal, for that scaling point.

For example, a pulse output flow meter has a flow of 50GPM at a pulse rate of 100Hz. The actual input signal is the 100Hz figure but allowing the display to read “100” would be meaningless to the operator. The solution to this problem is to “scale” the display to “read” 50 (GPM) when the input is 100Hz.

PULSE OUTPUT SIGNALS FOR LINEAR PROCESSES (where linearization is not necessary)

Pulse output signals are related to flow rate by a constant, usually referred to as the “K-factor.” The K-factor is reported as the number of accumulated pulses that represents a particu-

lar volume such as gallon or liter. K-factors are indicated in pulses per unit volume or counts per unit volume. An example of a K-factor, normally supplied by the manufacturer, might be 2000 counts per gallon. The K-factor is correlated to flow through a simple mathematical relationship:

$$\text{Frequency} = \text{K-factor} \times \text{Volume per unit of time} \div 60$$

Using the previous example of 2000 counts per gallon and further assuming this meter has a maximum flow rate of 25GPM, the formula can be rearranged to calculate the input frequency required for a scaling point as follows:

$$\text{Frequency} = 2000 \times 1(\text{gal}) \div 60 = 33.333\text{Hz at 1GPM}$$

Given that the meter has a maximum flow rate of 25GPM the maximum frequency would then be:

$$\text{Frequency} = 2000 \times 25 (\text{gal}) \div 60 = 833.333\text{Hz at 25GPM}$$

A programmable display requires at least two points. The first point is the zero or minimum flow and the second is normally the maximum flow rate. For the imaginary flow meter used in the example above, the scaling would be as follows:

Input Value for Scaling Point 1	=	0
Display Value for Scaling Point 1	=	0
Input Value for Scaling Point 2	=	833.33
Display Value for Scaling Point 2	=	25

PULSE OUTPUT SIGNALS FOR NON-LINEAR PROCESSES (applications that can benefit from linearization)

Few flow meters actually behave in a linear way. There is always some uncertainty about the “exact” flow at a given reported input value. For many common flow measurement applications the assumption of linear flow is adequate for the process being measured. When higher accuracy is required, a technique called “Linearization” is often employed.

When the flow meter is being calibrated, multiple data points are obtained for the particular meter being tested. A typical five point

calibration run is displayed below.

GPM	AVG Frequency	**UUT Hz Counts/GAL	UUT K(Hz*60)/NK GPM	Error % FS
15.00	769.7	3078.59	14.90	-0.65
9.06	466.1	3086.75	9.03	-0.38
5.49	285.2	3118.64	5.52	0.65
3.32	171.7	3103.95	3.32	0.17
2.00	103.6	3101.80	2.01	0.10

****UUT=Unit Under Test**

If this meter produced an actual linear output, the K-factor calculation for the Unit Under Test would be exactly the same for each measurement point. Inspection of the UUT K in the example above shows that this is not the case and indicates that this meter is not a perfectly linear device.

Many programmable displays allow for linearization and can provide a better match of the displayed flow values with the actual flow values by incorporating more measurement points. In the example, the unit would be programmed for six points, the five data points and a zero point, and use pairs of input values to accomplish the linearization.

PART NUMBERING INFORMATION

B 2 8 X X X - X X

Program Level

A = Advanced
S = Simplified

Power Option

B = Battery
L = Loop

Mounting Style

M = Meter Mount
R = Remote Mount
S = Swivel Mount
H = Hand-Held
P = Panel Mount
X = Explosion-Proof

Units of Measure

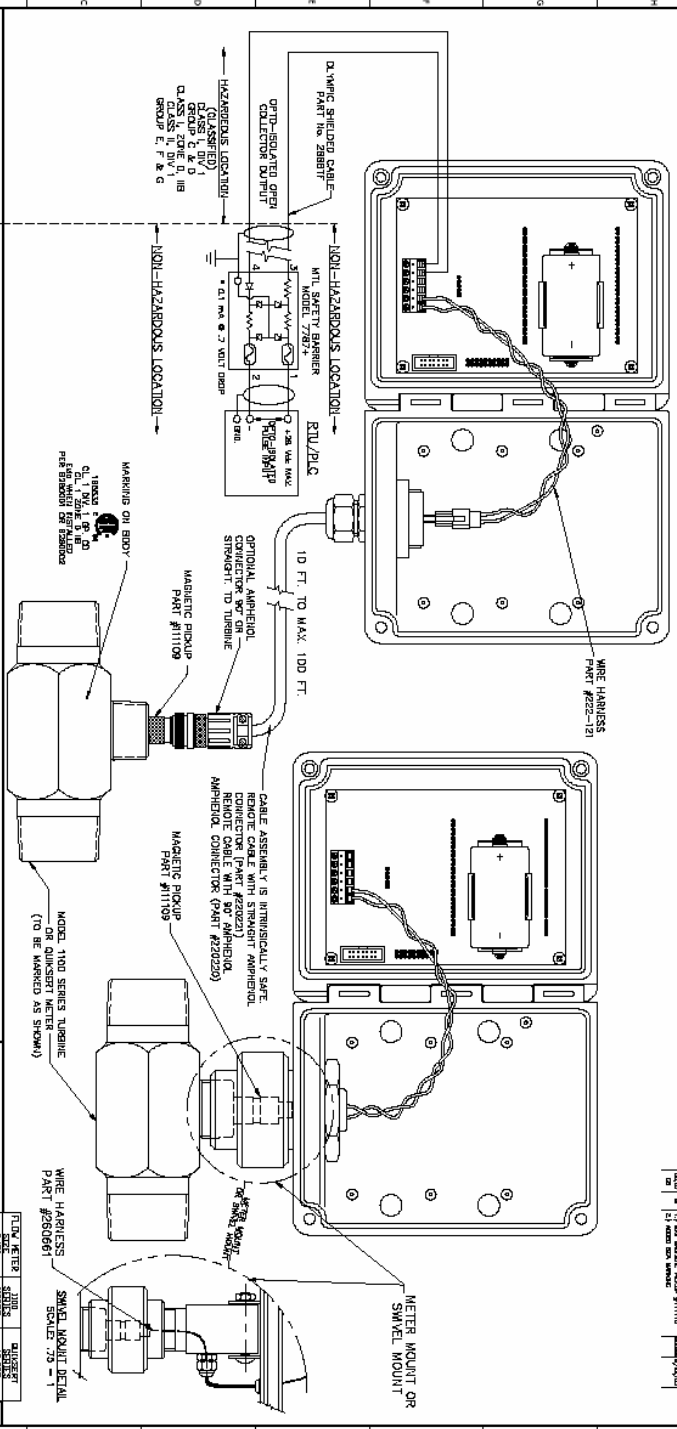
AB = Gallons
ED = Barrels
HB = Liters
ID = Cubic Meters
CS = Customer Selectable*

*Note: *Advanced B2800 monitors only.
The default is gallons per minute.*

COMPONENT	PART NUMBER
Keypad	B260713
Battery	B280601
Battery Tie Wrap	B228036
Pick-up Cable	B222-121
Desiccant Bag	B260630
PVC Union	B220016
PVC Reducer Bushing	B220056
Rubber Washer	B228207
Steel Lock Washer	B220018
PCB Shield (battery units)	B280603
Desiccant Shield	B280680
Cord Grip	B220103

THIS DRAWING IS A PART OF THE STANDARD DRAWING SET FOR THE MODEL 100 SERIES OF PORTABLE AMPEREOL METER. IT IS NOT TO BE USED SEPARATELY FROM THE OTHER DRAWINGS IN THE SET. IT IS THE PROPERTY OF THE COMPANY AND IS NOT TO BE REPRODUCED OR COPIED IN ANY MANNER WITHOUT THE WRITTEN PERMISSION OF THE COMPANY.

REVISED BY: [] DATE: []
 DRAWN BY: [] DATE: []
 CHECKED BY: [] DATE: []
 APPROVED BY: [] DATE: []



FOR OTHER BARRIER SELECTION USE THE FOLLOWING LINE DESIGNATION:

DESIGN: ISOLATED OUTPUT
 V max = 200 VAC
 I max = 100 MA
 C = 0.000 μF
 U = 0.01 MH

NOTES ON BARRIERS:

1. SELECTED BARRIERS MUST BE CSA CERTIFIED AS NOT EXCEEDING 1000 VOLT AND NOT EXCEEDING MAX. CAPACITANCE VALUE SHOWN IN TABLE 1.
2. CABLE CAPACITANCE MUST BE INTERNALLY SAFE EQUIPMENT SHOWN BY ANY BARRIER USED. THE SAME APPLIES FOR THE INDICATOR.
3. MAY BE IN DIVISION 2 LOCATION IF SO APPROVED.
4. BARRIERS MUST BE INSTALLED IN ACCORDANCE WITH BARRIER CODE PART 1, SEC. 18 AND APPENDIX F.
5. WHEN SELECTING CABLE FOR CONNECTION TO 1000 SERIES PARALLEL ORS, SEE PART 1 AND 89 OF 7/8.

NOTES ON CABLE ENTRY:

1. GAGE ENTRY HOLE CONNECTOR PART NUMBER B206944.
2. DIAMETER OF CABLE NOT TO EXCEED .144 (22) IN. (3.3).
3. REFER TO INSTALLATION MANUAL FOR HOLE CONNECTOR HOLE PLACEMENT.
4. ALL CABLE ENTRIES SHOULD BE PROTECTED THROUGH STRAIGHT THRU FITTINGS.

TABLE 1:
 IS EQUIPMENT

BARRIER	Volt	Max	Cap	Leak
1	200	100	0.000	0.01
2	200	100	0.000	0.01
3	200	100	0.000	0.01
4	200	100	0.000	0.01
5	200	100	0.000	0.01
6	200	100	0.000	0.01
7	200	100	0.000	0.01
8	200	100	0.000	0.01
9	200	100	0.000	0.01
10	200	100	0.000	0.01
11	200	100	0.000	0.01
12	200	100	0.000	0.01
13	200	100	0.000	0.01
14	200	100	0.000	0.01
15	200	100	0.000	0.01
16	200	100	0.000	0.01
17	200	100	0.000	0.01
18	200	100	0.000	0.01
19	200	100	0.000	0.01
20	200	100	0.000	0.01

1000 SERIES MODEL 100

TYPE: []
 PART: []
 REV: []

HAZARDOUS LOCATION:
 CLASSIFIED BY DIV 1
 CLASS II, CODE D, IIB
 GROUP 1, E, F, G

HAZARDOUS LOCATION:
 CLASSIFIED BY DIV 1
 CLASS II, CODE D, IIB
 GROUP 1, E, F, G

TABLE 2:
 IS EQUIPMENT

BARRIER	Volt	Max	Cap	Leak
1	200	100	0.000	0.01
2	200	100	0.000	0.01
3	200	100	0.000	0.01
4	200	100	0.000	0.01
5	200	100	0.000	0.01
6	200	100	0.000	0.01
7	200	100	0.000	0.01
8	200	100	0.000	0.01
9	200	100	0.000	0.01
10	200	100	0.000	0.01
11	200	100	0.000	0.01
12	200	100	0.000	0.01
13	200	100	0.000	0.01
14	200	100	0.000	0.01
15	200	100	0.000	0.01
16	200	100	0.000	0.01
17	200	100	0.000	0.01
18	200	100	0.000	0.01
19	200	100	0.000	0.01
20	200	100	0.000	0.01

1000 SERIES MODEL 100

TYPE: []
 PART: []
 REV: []

HAZARDOUS LOCATION:
 CLASSIFIED BY DIV 1
 CLASS II, CODE D, IIB
 GROUP 1, E, F, G

HAZARDOUS LOCATION:
 CLASSIFIED BY DIV 1
 CLASS II, CODE D, IIB
 GROUP 1, E, F, G

TABLE 3:
 IS EQUIPMENT

BARRIER	Volt	Max	Cap	Leak
1	200	100	0.000	0.01
2	200	100	0.000	0.01
3	200	100	0.000	0.01
4	200	100	0.000	0.01
5	200	100	0.000	0.01
6	200	100	0.000	0.01
7	200	100	0.000	0.01
8	200	100	0.000	0.01
9	200	100	0.000	0.01
10	200	100	0.000	0.01
11	200	100	0.000	0.01
12	200	100	0.000	0.01
13	200	100	0.000	0.01
14	200	100	0.000	0.01
15	200	100	0.000	0.01
16	200	100	0.000	0.01
17	200	100	0.000	0.01
18	200	100	0.000	0.01
19	200	100	0.000	0.01
20	200	100	0.000	0.01

STATEMENT OF WARRANTY

Blancett Flow Meters, Division of Racine Federated, Inc. warrants to the end purchaser, for a period of one year from the date of shipment from the factory, that all flow meters manufactured by it are free from defects in materials and workmanship. This Warranty does not cover products that have been damaged due to defects caused by abnormal use, misapplication, abuse, lack of maintenance, modified or improper installation. Blancett's obligation under this warranty is limited to the repair or replacement of a defective product, at no charge to the end purchase, if the product is inspected by Blancett and found to be defective. Repair or replacement is at Blancett's discretion. A return goods authorization (RGA) number must be obtained from Blancett before any product may be returned for warranty repair or replacement. The product must be thoroughly cleaned and any process chemicals removed before it will be accepted for return.

The purchaser must determine the applicability of the product for its desired use and assumes all risks in connection therewith. Blancett assumes no responsibility or liability for any omissions or errors in connection with the use of its products. Blancett will under no circumstances be liable for any incidental, consequential, contingent or special damages or loss to any person or property arising out of the failure of any product, component or accessory.

All expressed or implied warranties, including **the implied warranty of merchantability and the implied warranty of fitness for a particular purpose or application are expressly disclaimed** and shall not apply to any products sold or services rendered by Blancett.

The above warranty supersedes and is in lieu of all other warranties, either expressed or implied and all other obligations or liabilities. No agent or representative has any authority to alter the terms of this warranty in any way.



8635 Washington Avenue • Racine, Wisconsin 53406

Technical Toll-Free: 877.722.4631 •

Sales Toll-Free: 800.235.1638

Phone: 817.426.2888 • Fax: 817.426.5303

www.blancett.com

Form: B2800 Advanced Manual
Revision 03/06